

## MasterCap Capsule Filter

Single Use Assembly ▪ Gamma Irradiated

---

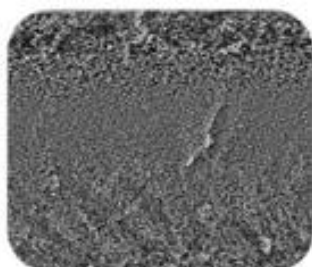
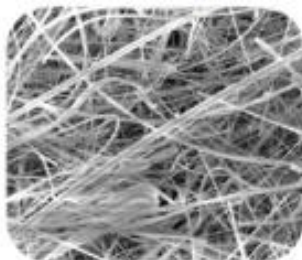
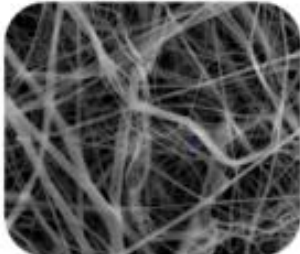




**MasterCap** Capsule Filters are self-contained and ready to use for the removal of contaminants, particles and bacteria for bio-pharmaceutical and microelectronic industries. No adhesives or glue are used in manufacturing and all bonding is by thermal welding. **MasterCap** filters are available in T-style and in In-line configuration with different filter media.

## Features and Benefits

- Single-use filtration systems save cleaning time and validation cost.
- Available in 5", 10", 20" and 30" lengths to optimize flow rates and throughput
- Capsules are available in pre-sterilized packages
- No housing maintenance required
- High throughput
- 100% Integrity tested
- T-style and Inline versions available



## Typical applications

### Bio-Pharmaceutical

- Serum filtration
- Tissue culture media
- Microbiological Growth Media
- Viscous Biological Liquids
- Sterile Tank Venting

### Microelectronics

- Metal & Oxide CMP Slurries
- Chemical Rinse Solutions
- Acids, Bases, Solvents
- Stripping Solutions
- DI Water
- Storage tank vents



## Materials of construction

Outer shell	Gamma Stable Polypropylene		
	Hydrophilic membrane	Double layer Polyethersulfone	<b>DPS</b>
Filter Media		Single layer Polyethersulfone	<b>PES</b>
	Hydrophobic membrane	PVDF	<b>PVD</b>
		PTFE	<b>T002</b>
	Microfiber	Absolute rated high efficiency Polypropylene	<b>APK</b>
Glass Fiber		<b>GFK</b>	
Sealing material	Silicone		



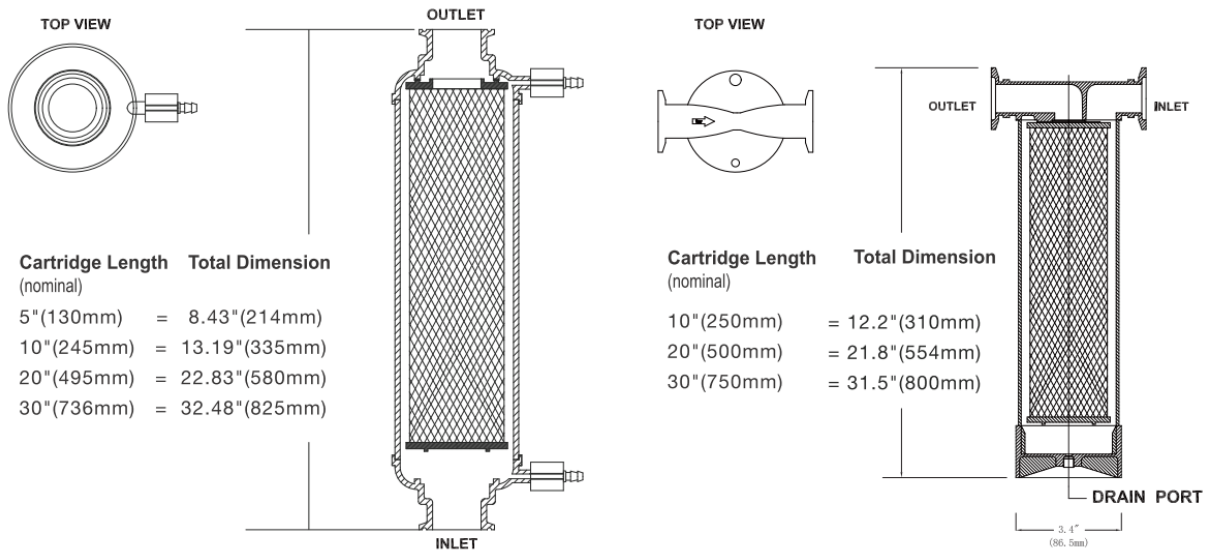
## Operating conditions

Max. operating	Pressure Liquid	5,2 bar @ 0°- 60°C
		3,1 bar @ 60°C
Max. operating	Pressure Gas	5,2 bar @ 0°- 60°C
		3,1 bar @ 60°C
Sterilization	Gamma Irradiation	up to 50 kGy
	Gas	by Ethylenoxide
	Autoclave	at 121°C for 60 min. 1 cycle cannot be inline steam sterilized

## Biological Safety

Extractable (NVR)	<30mg/10" (Test procedures: steam sterilized for 30min. @ 121°C; Then soaked in purified water for 24 hours)
Oxidability	Meets FDA requirements for Oxide Test (Test procedures: steam sterilized for 30min. @ 121°C; test sample after purified water washing)
Endotoxin	<0,25Eu/ml, according to LAL test
Material Safety	Meets USP 88, for class VI-121°C plastics

## Dimensions



## Ordering Information

	Membrane Media	Code	Retention rate [µm]	Cartridge length inch	Code	Sterilization	Code
<b>MC-I</b> [inline]	Double layer PES	<b>DPS</b>	0,2+0,2 0,45+0,2	5"	<b>05</b>	Standard (non sterile)	<b>C</b>
	Polyethersulfone	<b>PES</b>	0,2/0,45	10"	<b>10</b>	Gamma irradiated	<b>G</b>
<b>MC-T</b> [T-style]	PVDF	<b>PVD</b>	0,1/0,2/0,45/1,0	20"	<b>20</b>	Ethylene Oxide	<b>E</b>
	PTFE	<b>T002</b>	0,01/0,2	30"	<b>30</b>		
	Polypropylene Glass Fiber	<b>APK</b> <b>GFK</b>	0,3/0,65/1,0/3/5/10 0,65/1,2				

**MF**  
**Masterfilter**  
 D-Unit NV / SA  
 Groddeweg 14A  
 B- 3010 Leuven  
 RPR LEUVEN  
 Tel. +32 13 67 09 04  
 Fax. +32 13 67 09 01  
 email: [info@masterfilter.be](mailto:info@masterfilter.be)